

Announcement of Exhibition in ISAP '04

The 2004 International Symposium on Antennas and Propagation (ISAP '04) will be held at Sendai International Center in Sendai, Japan, Aug. 17 (Tuesday) through Aug. 21 (Saturday), 2004 (<http://www.ieice.org/cs/isap/2004/>). Our symposium attendance is expected to be 500-600. We invite you to present your products and services in this symposium.

If you are interested, please complete attached forms and send it to us before January 31, 2004. A signed form reserves your spaces and you will receive the acceptance notation and detailed instructions such as payment, equipments and so on. We are looking forward to seeing you at ISAP '04.

1. Place:

Sendai International Center in Sendai, Japan

2. Period:

From Aug. 17 (Tuesday) to Aug. 21 (Saturday)
(Set-up: Aug. 17, Take-down: Aug. 21)

3. Deadline of application:

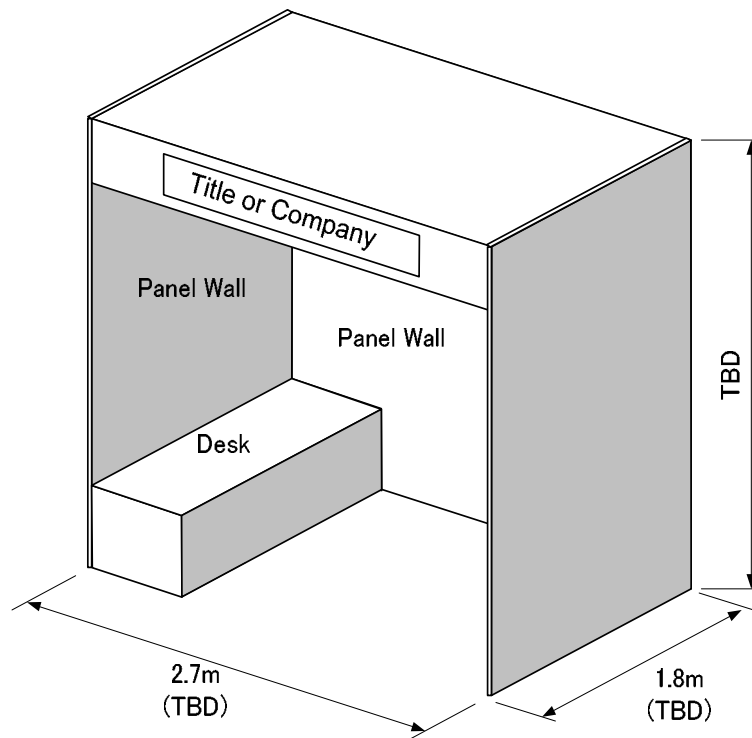
January 31, 2004.

4. Outline of exhibition:

We prepare two exhibition courses as follows:

Regular Exhibition:

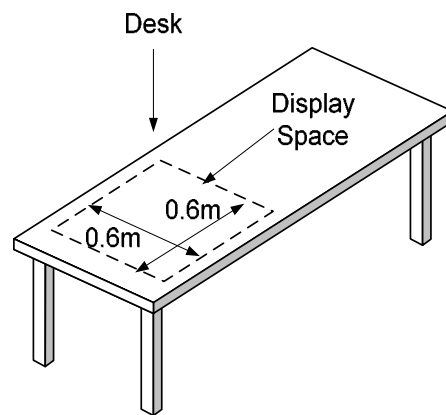
In this course, exhibitors are provided a 2.7m (TBD) X 1.8m (TBD) display area and can demonstrate their hardware and software products, books, and so on. The image of exhibition booth area is shown below. Exhibitors can offer more than an area with additional fee. Exhibition fee of this course is 300,000 JPYEN for an area and includes basic equipments (a desk, a display wall, chairs and electricity). Exhibitors will have to do the setting-up, demonstration and taking-down of their product by themselves. Additional requirements and shipping arrangements will be provided with additional fee.



Overview of regular exhibition booth

Pamphlets and catalogs distribution only:

In this course, exhibitors are provided 0.6m X 0.6m display area on desk and are permitted to distribute some items such as pamphlets, catalogs and so on. Exhibitors can offer more than a display space with additional fee. The image of exhibition desk is shown below. Exhibition fee of this course is 100,000 JPYEN for a space. If distributed items are sent to us, the committee will display them. However, leavings of them will not be returned to exhibitors. If you wish they are returned, please offer it to us. We will return them with additional fee. As our symposium attendance is expected to be 500-600, we recommend that number of items is much less than 500. Also, exhibitors can distribute their items by themselves. If you hope it, the committee will prepare your name card.



Overview of pamphlet distribution booth

5. Mailing Address:

Please send the complete application form to the following address by fax or e-mail. Also, please contact to below if you have any questions.

Dr. Yoshihiko Konishi

Chairperson of ISAP'04 Planning Committee

Antennas Technology Department, Information Technology R&D Center,

Mitsubishi Electric Corporation

Information Technology R&D Center

5-1-1 Ofuna, Kamakura, Kanagawa, 247-8501, Japan.

E-mail konishi@isl.melco.co.jp

Fax: +81-467-41-2519, Phone: +81-467-41-2531